

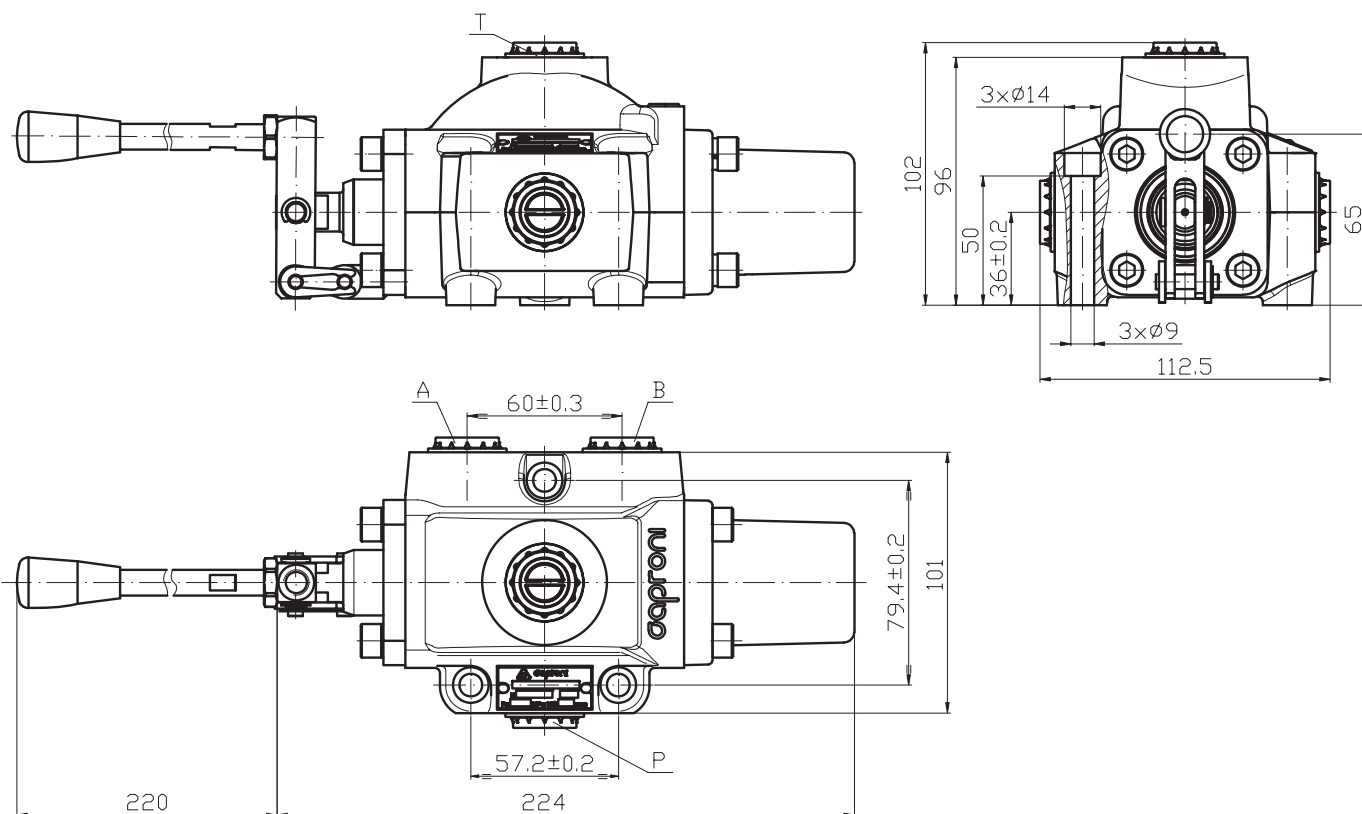
GENERAL DESCRIPTION

List: RMD90-1-June 2012

The directional control valve RMD90 provides a change of fluid flow direction in the channels of the hydraulic system. Valve RMD90 is designed for mounting in the hydraulic systems of the mobile and industrial machines.

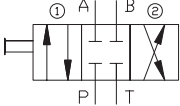
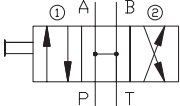
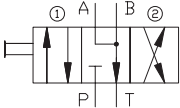
TECHNICAL DATA

Weight	5.7kg
Nominal flow	90 l/min
Maximal flow	150 l/min
Nominal pressure	16 MPa
Maximal pressure	20 MPa
Working stroke of the spool	±8 mm
Spool leakage at p=100bar t=40°C and viscosity 36cSt	25 cm ³ /min
Working fluid-hydraulic oil with parameters:	viscosity - 15...300cSt recommended viscosity - 20...80cSt temperature - -20...+80°C degree of filtration - 0,025mm

DIMENSIONS


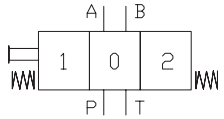
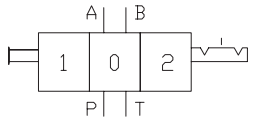
ORDERING CODE

RMD90 - 1 DL 1 G

Double acting , 3 position , 4 way A and B blocked in neutral		Code 1
Double acting , 3 position , 4 way A , B and P to tank in neutral		Code 2
Double acting , 3 position , 4 way A and B to tank in neutral		Code 3

Code	P , T , A , B
G	G3/4"-A
K	K3/4"-14 GOST6111-52 (3/4"-14NPT)

Lever :	with lever without lever	Code DL D
---------	-----------------------------	-------------------------------

Code 1	Spring return to neutral	
Code 2	Detent in position 1 and 2	
Code 3	Detent in three positions	